



## Other Components

Thermostats and Accessories			2-Stg Programmable Heat/Cool, Digital 24V, PN 221038 (same as CL33)	Electronic Modulating Room Override for Makeup Air, 60–85°F, 24V, PN 24857 (same as CL9)
1-Stg Heat/Cool 24V 50–90°F, PN 255350 (same as CL1)	2-Stg Heat/Cool 24V, PN 220630 (same as CL22)	1-Stage Programmable Heat/Cool, Digital 24V, PN 220632 (same as CL52)		
Thermostat Guard with locking cover	Fits CL1, CL22, CL52, CL9	<b>257464</b> (same as Option CM1)		
	Fits CL33	<b>257463</b> (same as Option CM1B)		

### Fan Control and Gasket Kit, PN 57960 (same as Option CQ1)

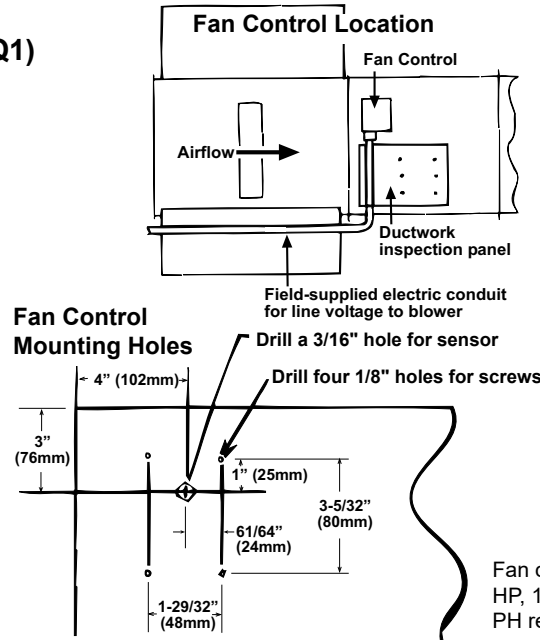
#### Components:

Fan Control, Honeywell Model L4064A1347, **PN 147611**  
Gasket, #1621, **PN 57962**

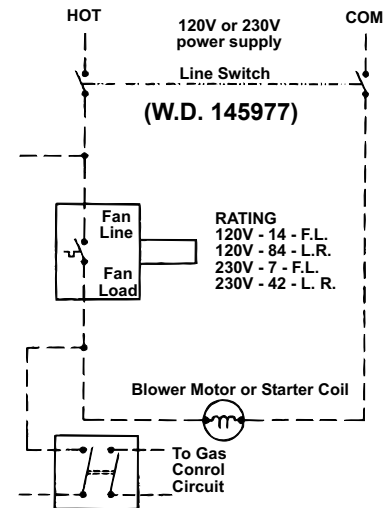


Recommended dial setting for most conditions is 130°F ON and 100°F OFF.

May be used as a functional replacement for Columbus Electric fan control used on EEDU Series *before* JUN 1996.



#### Fan Control Wiring



Fan control is rated for maximum motor size 3/4 HP, 1PH @ 115 or 230 VAC. Larger motors or 3 PH require use of contactor or starter.

### DPST Control Switch, PN 101902



(used in Gas Control Options AG3, AG8, AG9, AG15 & AG16)

### Two-Stage Ductstat, PN 41700, Honeywell (used in Option AG3)

\*Bulb Holder, **PN 100260**  
Cable Strap, **PN 16227**

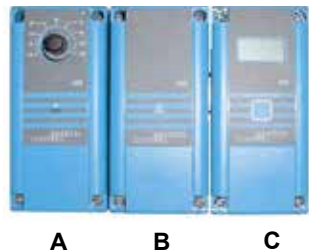
\*If PN 41700 is Essex brand, the bulb holder is PN 104156.



### Control Transformer



**PN 103355**, 115/24/40VA, Basler #BE141650-WAA (replaces PN 60368);  
**PN 103497**, 208/230/24/ 40VA, Basler #BE21539001 (replaces PN 60369);  
**PN 103498**, 460/24/40VA, Basler #BE23975001 (replaces PN 60370)



### Two-Stage Electronic Ductstat Modules (used in Options AG15 and AG16)

**A** = Temperature Selector, **PN 115848**, J/C A350A-1C  
**B** = Stage Adder Module, **PN 115849**, J/C S350AA-1C  
**C** = Display Module, **PN 115852**, J/C D350AA-1C

Ductstat Sensor Holder, **PN 115850**

Ductstat Sensor, **PN 115851**



### Maxitrol Signal Conditioner (used in Gas Control Option AG21), PN 134170



[www.ReznorHVAC.com](http://www.ReznorHVAC.com); 800-695-1901

©2018 Reznor LLC, All rights reserved.

Trademark Notes: Reznor® is registered in at least the United States. All other trademarks are the property of their respective owners.

Form P-EEDU (06-18) PN263547R4

**REZNOR®**

Form P-EEDU (06-18) PN263547R4, Page 8